



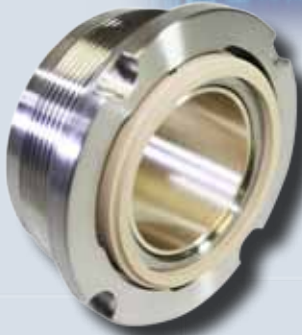
M E C H A N I C A L S E A L S

Cryogenic Ultraseals

HOT NEW SEALS

**for
Cold**

Applications

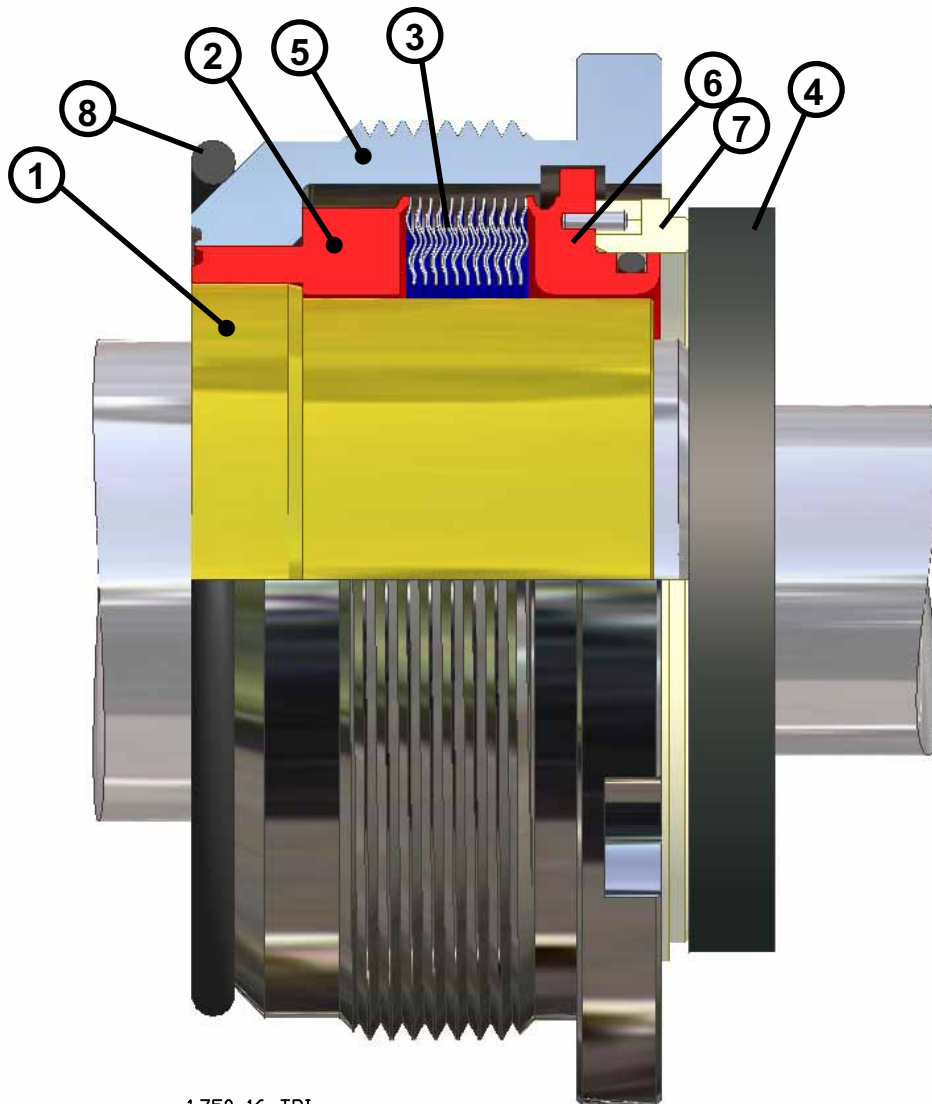


PPC's new line of cryogenic seals is revolutionary due to the face combination of PPCF (a custom blended polymer material) and Tungsten Carbide. The combination of the special polymers and PPC's special surface treatment of the Tungsten Carbide allows the 400 series seals to outperform competitive mechanical seals in both wet and gaseous conditions.

- ❑ **MEETS LIQUID OXYGEN SAFETY STANDARDS**
- ❑ **TUNGSTEN CARBIDE FACE**
- ❑ **EACH SEAL CONTAINS AN ANTI-SPARK SLEEVE**
- ❑ **STATIONARY WELDED CRYOGENIC METAL BELLOWS**
- ❑ **NEW PROPRIETARY POLYMER FACE (PPCF)**
- ❑ **STANDARD FACE MATERIALS: PPCF vs. TUNGSTEN CARBIDE**

Call or write and we'll show you how to save time and money through creative engineering and expert technical service.

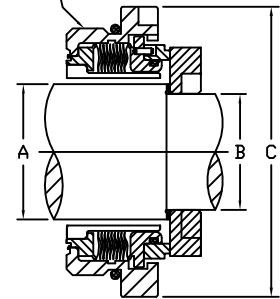
1 (800) 731-7325 • (225) 356-4333 • FAX (225) 355-2126 • Baton Rouge, LA 70805 • sales@ppcmechanicalseals.com



ITEM	DESCRIPTION
1	SLEEVE
2	END PIECE
3	BELLOWS
4	TC SEAT
5	HOUSING
6	INSERT HOLDER
7	FACE (PPCF)
8	O-RING

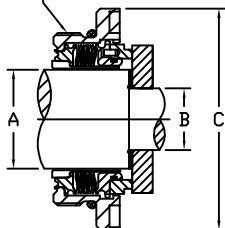
MODEL	A	B	C
415	1.000	.625	2.24
425	1.085	.812	3.49
445	1.375	1.0005	3.00
455	1.375 (35MM)	1.181	2.95

64MM-2MM,
LEFT OR RIGHT HAND

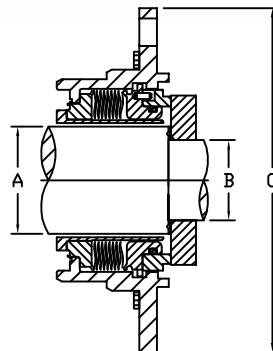


ULTRASEAL 455

1.750-16 TPI,
LEFT OR RIGHT HAND

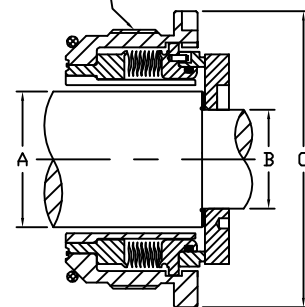


ULTRASEAL 415



ULTRASEAL 425

2.625-16 TPI,
LEFT OR RIGHT HAND



ULTRASEAL 445

WARRANTY

PPC seals and seal parts are guaranteed to be free from defects in material and workmanship and are guaranteed to render satisfactory service when used for the purpose for which they are designed.