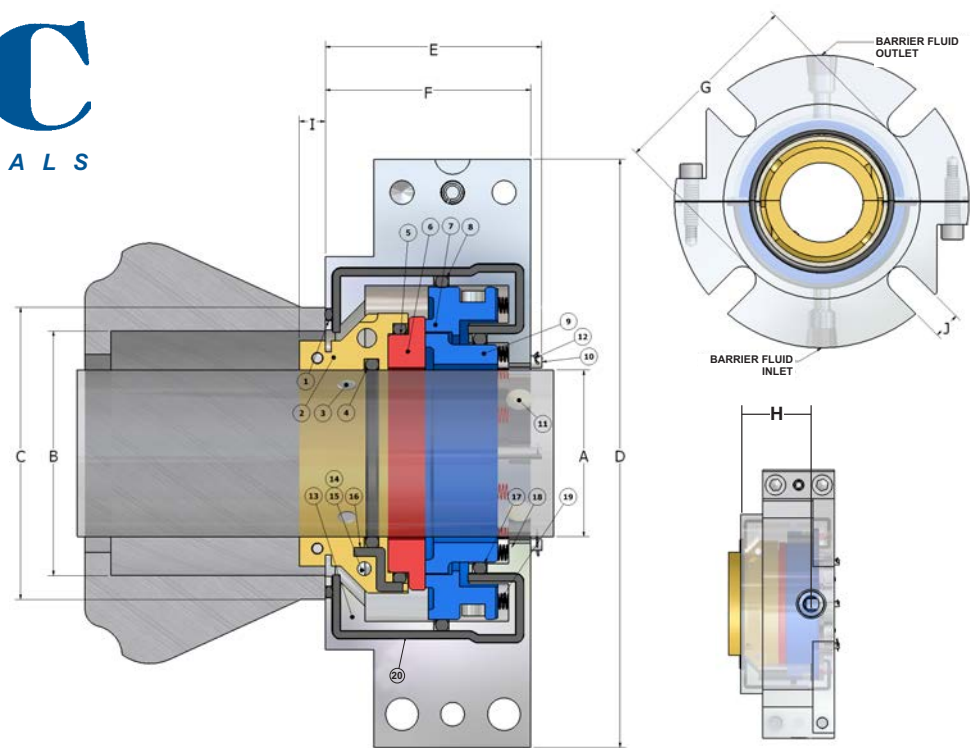




ITEM	DESCRIPTION	Repair Kit
1	O-Ring	*
2	Rotary Collar	*
3	Set Screws	*
4	O-Ring	*
5	O-Ring	*
6	Rotary Face	*
7	Upper Inboard Stationary Face	*
8	O-Ring	*
9	Lower Outboard Stationary Face	*
10	Anti-Rotation Pins	*
11	Centering Spacers	*
12	Retaining Clips	*
13	Gland	*
14	Lock Washers	*
15	Cap Screws	*
16	Collar Seam Gaskets	*
17	O-Ring	*
18	Springs	*
19	Springs	*
20	Gland Seam Gaskets	*



2400S SPLIT DOUBLE SEAL

U.S. Patent No. 5,820,129

SIZES: 1 3/4" thru 5.500" *
OPERATING CONDITIONS:
 1 1/2" - 2 5/8": 150PSI: 3600RPM
 2 3/4" - 4 3/4": * 125PSI: 1750RPM
TEMPERATURE RATING: 300° F
MATERIALS:
 Rotating Face: Silicon Carbide

Stationary Face: Inboard: Carbon or Silicon Carbide
 Outboard: Carbon
Gland / Collar: 316SS
Elastomers: Aflas*
Springs: Hastelloy-C***

** Asahi Glass Co. Ltd. Reg. TM *** Haynes International, Inc. TM
 * For Larger Sizes Consult PPC Engineering Group

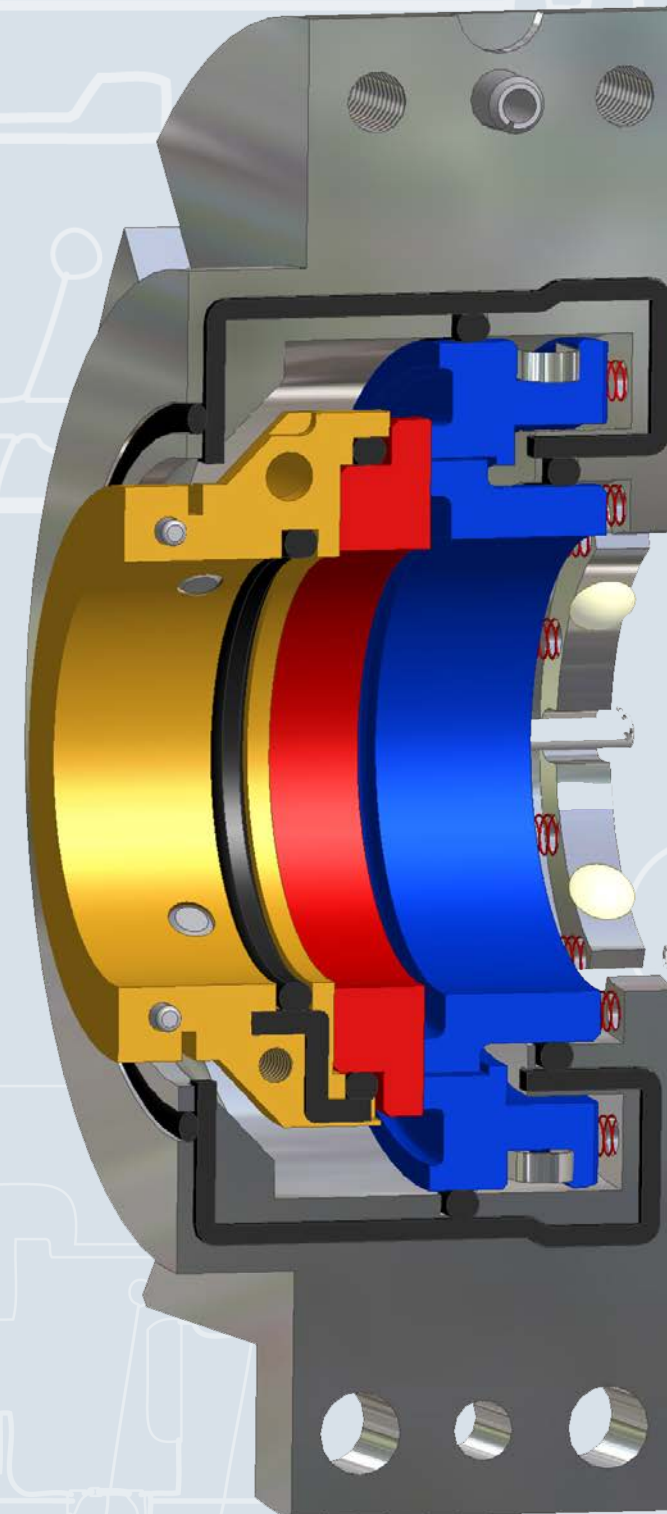
A	B (MIN)	B (MAX)	C (MIN)	D	E	F	G	H	I	J
1.750	2.50	2.75	3.12	6.18	2.32	2.13	4.15	1.61	.28	.56
1.875	2.63	2.88	3.25	6.31	2.32	2.13	4.28	1.61	.28	.56
2.000	2.75	3.00	3.37	6.44	2.32	2.13	4.39	1.61	.28	.56
2.125	2.88	3.13	3.50	6.54	2.32	2.13	4.64	1.61	.28	.69
2.500	3.25	3.75	4.00	6.90	2.32	2.13	5.02	1.61	.28	.69
2.625	3.37	3.88	4.12	7.02	2.32	2.13	5.14	1.61	.28	.69
2.750	3.63	4.25	4.69	7.75	2.69	2.50	5.31	1.61	.38	.69
3.000	3.88	4.50	4.94	8.00	2.69	2.50	5.56	1.86	.38	.72
3.250	4.13	4.75	5.19	8.25	2.69	2.50	5.81	1.86	.38	.72
3.500	4.38	5.00	5.44	8.50	2.69	2.50	5.81	1.86	.38	.81
3.625	4.50	5.13	5.56	8.63	2.69	2.50	6.16	1.86	.38	.81
3.750	4.63	5.25	5.69	8.75	2.69	2.50	6.31	1.86	.38	.81
4.000	4.88	5.50	5.94	9.00	2.69	2.50	6.56	1.86	.38	.81
4.500	5.38	6.00	6.44	9.50	2.69	2.50	6.81	1.86	.38	.81
4.750	5.63	6.25	6.69	9.75	2.69	2.50	7.31	1.86	.38	.81
5.500	6.38	7.50	8.09	11.50	2.69	3.50	8.41	2.71	.50	.94
FOLLOWING FOR BIG BORE PUMPS 2400S+										
1.750+	2.50	4.06	3.78	6.31	2.32	2.13	4.50	1.61	.28	.56
1.875+	2.63	4.03	3.91	6.25	2.32	2.13	4.41	1.61	.28	.56
2.125+	2.88	4.44	4.16	7.12	2.32	2.13	5.31	1.61	.28	.69
2.500+	3.25	5.19	4.53	7.87	2.32	2.13	5.62	1.61	.28	.69
2.625+	3.37	4.88	4.66	7.50	2.32	2.13	5.44	1.61	.28	.69

WARRANTY: PPC seals and seal parts are guaranteed to be free from defects in material and workmanship and are guaranteed to render satisfactory service when used for the purpose for which they are designed.



2400S SPLIT DOUBLE SEAL

U.S. Patent No. 5,820,129



*The World's First
(and only)
Split Double Seal*

**REPLACE YOUR CURRENT
DOUBLE SEAL...
THE PROTECTION OF A
DOUBLE SEAL... WITH THE
CONVENIENCE OF
A SPLIT SEAL**

IDEAL FOR:

- Pulp & Paper
- Corn/Grain/Food Processing
- Food Processing
- Wastewater
- Power Generation
- Mining
- Steel
- Many Others

Features & Benefits

REDUCES INVENTORY COSTS. You don't have to pull the pump any more. This greatly reduces your plant's inventories of pumps, seals, bearings, bearing seals/isolators.

FITS STANDARD PUMPS WITHOUT MODIFICATION Available adapter kit is used on some pumps with seal size 2.625" and below.

IT'S A DOUBLE SEAL. Pumps and mixers can be sealed without having to put large quantities of water into the process. (API Plan 54 required)

UNIQUE "STACKED" FACES allow it to be utilized even in the smaller ANSI pumps without modification.

ALIGNMENT PINS indicate when correct alignment of the seal faces has been achieved. These pins also serve a dual role as wear pin indicators.

2400S IS FIELD REPAIRABLE with a repair kit. The seal's initial cost is comparable to a regular double cartridge, but the repairs thereafter significantly reduce seal costs.

COOLING IS GREATLY ENHANCED because the faces are all within close proximity and totally immersed in the barrier fluid, improving seal life.

2400S CAN HANDLE MORE RUN-OUT and misalignment than conventional double cartridge seals.

NO ADHESIVE INVOLVED IN INSTALLATION which speeds and simplifies the installation procedure.

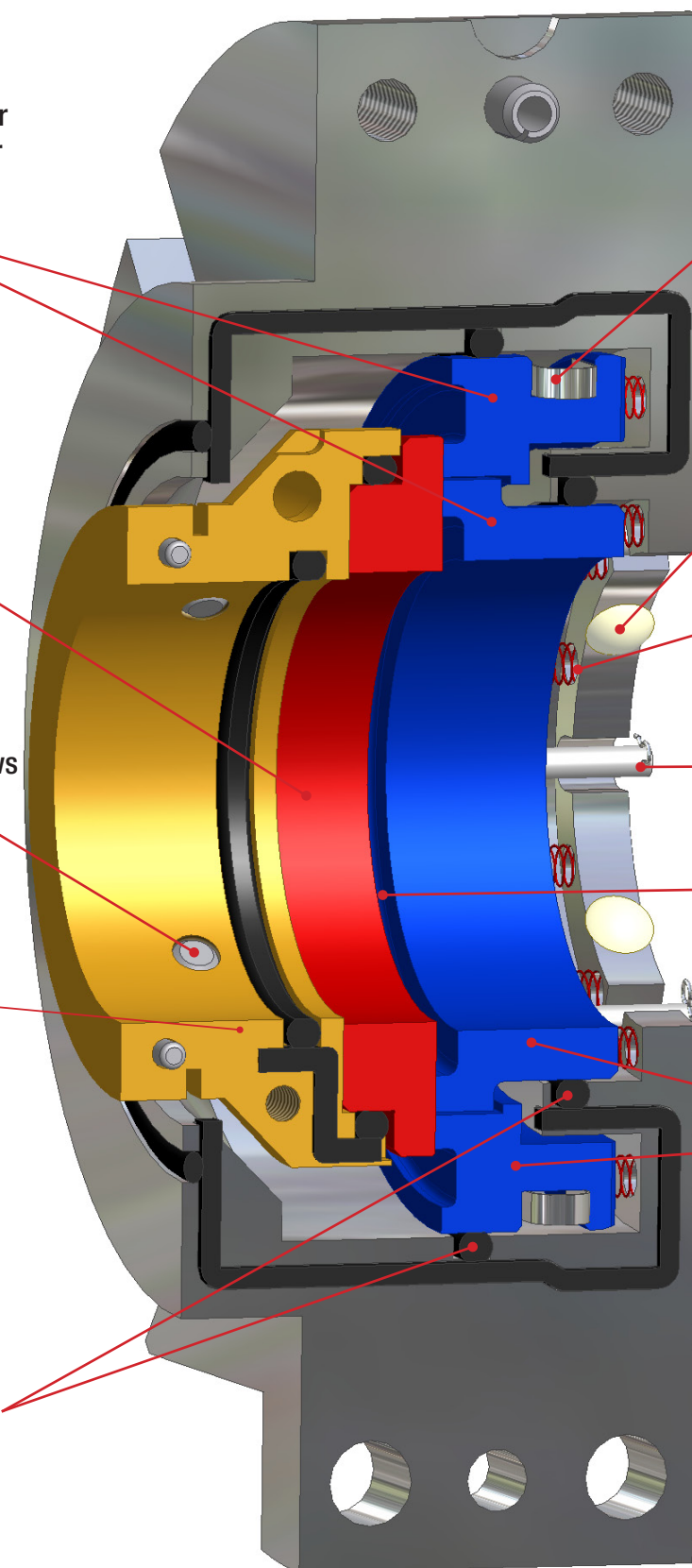
THE UNIQUE CONCENTRIC (STACKED) FACE produce a smaller footprint allowing seal to fit smaller pumps (ANSI).

THE SEAL IS A CONCENTRIC SEAL (STACKED) ARRANGEMENT (with a common rotary face) allowing for maximum movement and cooling.

ROTARY UNIT USES A POSITIVE DRIVE, locked to shaft by set screws virtually eliminating slippage.

ROTARY COLLAR POSITIONS WITHOUT MEASURING. Disposable spacer allows for quick, easy positioning.

DYNAMIC O-RINGS. That advance to a clean area if face wears.



ALIGNMENT CLIPS to ensure perfect alignment of stationary faces (Patented).

GLAND IS SELF CENTERING to the shaft with spacers affixed in place preventing their accidental removal.

STATIONARY SPRINGS ARE ISOLATED from pumped fluid and unaffected if gland is misaligned.

ALIGNMENT PINS PROTRUDE to show correct installation.

SILICON CARBIDE FACES installed at 90° to collar splits to ensure face flatness.

STATIONARY COMPONENTS ARE HELD IN PLACE in the gland so that no individual parts have to be handled.

Applicable Industries:

1. Pulp and Paper, especially Liquor Applications
2. Corn/Grain/Food Processing
3. Steel
4. Wastewater
5. Breweries
6. Mining
7. Power Generation
8. Petroleum/Chemical (nonhazardous)

Equipment Applications:

1. Pumps
2. Agitators
3. Blenders
4. Separators
5. Dryers
6. Mixers
7. Reactors

Advantages of a Split Seal:

1. Installed without dismantling equipment.
2. Drastically cuts turnaround time.
3. Reduced maintenance cost.
4. No packing gland to re-tighten.
5. Won't wear or score shaft.
6. Operates with less leakage than packing.
7. Lasts longer than packing.
8. Consumes less power than packing.
9. Uses less time than packing a pump.
10. Less leakage to product side.