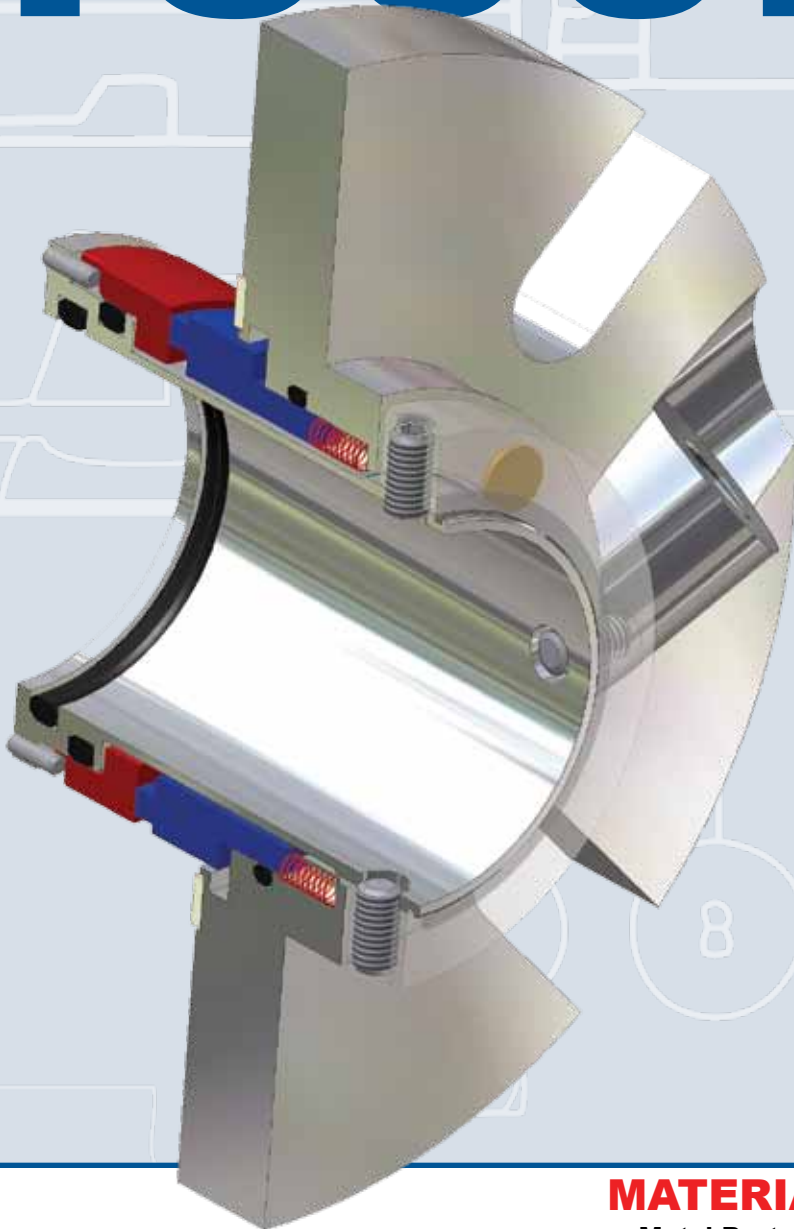




MECHANICAL SEALS

PPC's GENERAL PURPOSE SINGLE CARTRIDGE SEAL

1500E



Top Quality + Great Price

Maximum Value Seal

- **Unique centering buttons:**
Make the seal the easiest on the market to install.
- **Tangential flushing:**
Optimum angle for cooling and cleaning.
- **Monolithic faces:**
No press fits, to eliminate distortion.
- **Stationary Design:**
Springs are non-rotating and out of pumped fluid.
- **Fits most popular ANSI pumps:**

TECHNICAL DATA

Temperature: 0° to 400° F*
Pressure: To 300 PSIG, depending on shaft size and speed.*
Speed: Up to 3600 RPM*

*Please consult PPC Engineering for applications exceeding these parameters.

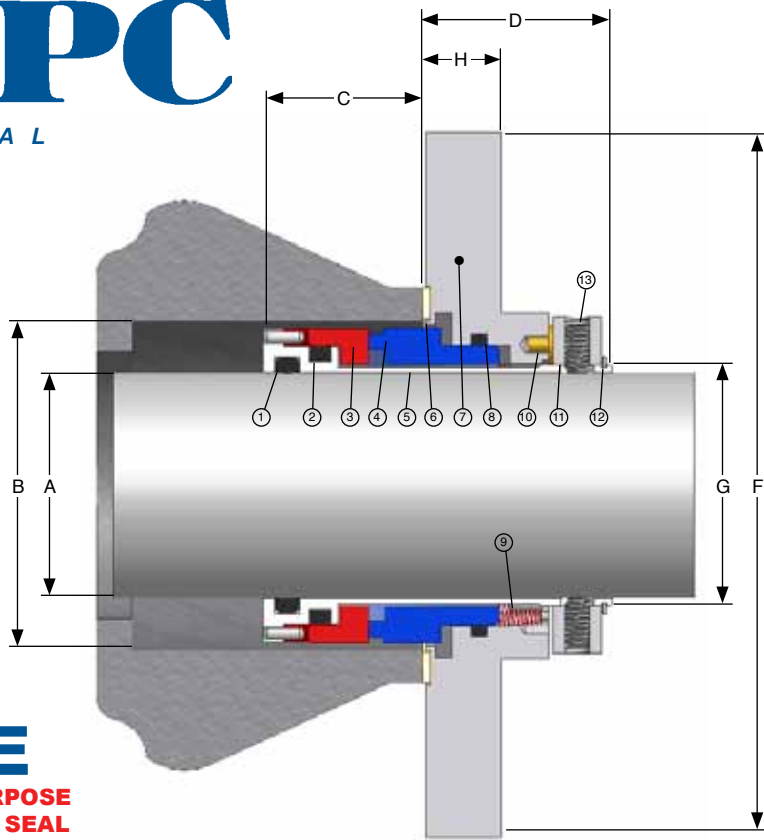
MATERIALS OF CONSTRUCTION

Metal Parts: 316 Stainless Steel, Alloy 20
Springs: Alloy C-276
Elastomers: EP, Aflas*, FKM, Perfluoroelastomers (FFKM)
Faces: Stationary - Carbon, Tungsten Carbide or Silicon Carbide
Rotary - Tungsten Carbide or Silicon Carbide

* Registered Trademark of Asahi Glass



ITEM	DESCRIPTION
1	O-RING
2	O-RING
3	ROTARY FACE
4	STATIONARY FACE
5	SLEEVE
6	GASKET
7	GLAND
8	O-RING
9	SPRINGS
10	SETTING BUTTONS
11	COLLAR
12	SPIROLOX
13	SET SCREWS



1500E

PPC's GENERAL PURPOSE SINGLE CARTRIDGE SEAL

A SEAL SIZE	B (MIN)	B (MAX)	C	D	E	F	G	H	I
1.000	1.625	2.010	1.21	1.49	2.31	4.11	1.125	.98	.44
1.125	1.750	2.040	1.21	1.49	2.44	4.24	1.250	.98	.44
1.250	1.875	2.270	1.21	1.49	2.69	4.36	1.375	.98	.56
1.375	2.000	2.430	1.21	1.49	2.75	4.36	1.500	.98	.44
1.500	2.250	2.630	1.21	1.49	2.94	4.99	1.625	.98	.56
1.625	2.375	2.690	1.21	1.49	3.06	4.99	1.750	.98	.56
1.750	2.500	2.810	1.21	1.49	3.19	5.48	1.875	.98	.56
1.875	2.625	2.940	1.21	1.49	3.31	5.49	2.000	.98	.56
2.000	2.750	3.190	1.21	1.49	3.44	5.49	2.125	.98	.56
2.125	2.875	3.440	1.21	1.49	3.81	5.99	2.250	.98	.69
2.250	3.000	3.560	1.21	1.49	3.94	6.24	2.375	.98	.69
2.375	3.125	3.590	1.21	1.49	4.06	6.24	2.500	.98	.69
2.500	3.250	3.810	1.21	1.49	4.19	6.48	2.625	.98	.69
2.625	3.375	4.070	1.21	1.49	4.75	7.62	2.750	.98	.69
2.750	3.750	4.190	1.36	1.80	4.88	7.74	3.000	1.20	.69
3.000	4.000	4.440	1.36	1.80	5.06	8.00	3.250	1.20	.69
3.125	4.125	4.565	1.36	1.80	5.25	8.12	3.375	1.20	.69
3.250	4.250	4.690	1.36	1.80	5.38	8.25	3.500	1.20	.69
3.375	4.375	4.815	1.36	1.80	5.50	8.38	3.625	1.20	.81
3.500	4.500	4.940	1.36	1.80	5.62	8.50	3.750	1.20	.81
3.625	4.625	5.065	1.36	1.80	5.75	8.62	3.875	1.20	.81
3.750	4.750	5.190	1.36	1.80	5.88	8.75	4.000	1.20	.81
4.750	5.750	6.190	1.36	1.80	6.81	9.75	5.000	1.20	.81
5.750	7.000	7.630	2.11	2.08	8.31	12.00	6.000	1.34	.94
1500E+ DIMENSIONS FOR OVERSIZE STUFFING BOX									
1.125+	2.500	2.906	1.21	1.49	3.31	4.62	1.250	.98	.44
1.375+	2.781	3.219	1.21	1.49	3.53	5.31	1.500	.98	.44
1.750+	3.469	4.188	1.21	1.49	4.50	6.31	1.875	.98	.56
1.875+	3.406	4.062	1.21	1.49	4.41	6.25	2.000	.98	.56
2.500+	4.156	5.187	1.21	1.49	5.44	7.88	2.625	.98	.69
2.625+	4.156	4.812	1.21	1.49	5.44	7.50	2.750	.98	.56

*1500 EV SERIES ALSO AVAILABLE TO FIT VIKING PUMPS

WARRANTY: PPC seals and seal parts are guaranteed to be free from defects in material and workmanship and are guaranteed to render satisfactory service when used for the purpose for which they are designed.