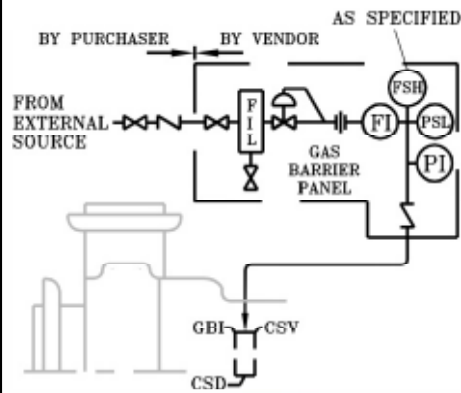
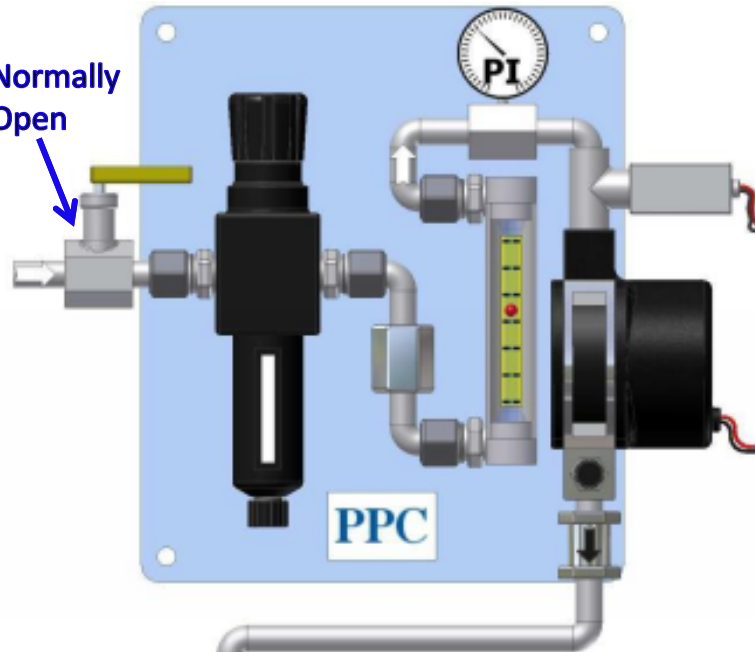


Plan 74

Description: Plan 74 is an external control system supplying BARRIER gas (typically Nitrogen) at greater pressure than the process pressure being sealed, to a dual gas seal “arrangement 3”.



Normally Open



Objective: Prevent process from leaking to the atmosphere. Remove moisture, filter the gas and regulate the pressure to the seal. Best for hazardous, nonpolymerizing, nonoxidizing fluids, light hydrocarbons and vapors.

Advantages: For processes that do not tolerate a liquid barrier. Can be used with LIFT OFF seal faces that generate no heat or wear and can have significantly increased seal life. Lower cost and maintenance than dual liquid systems.

