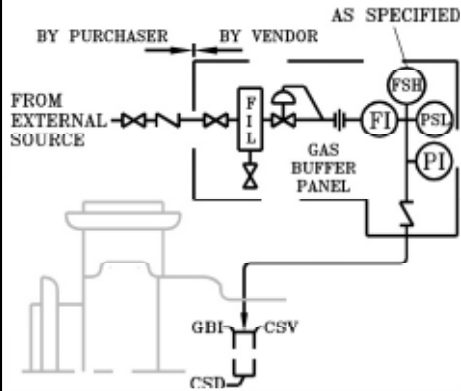
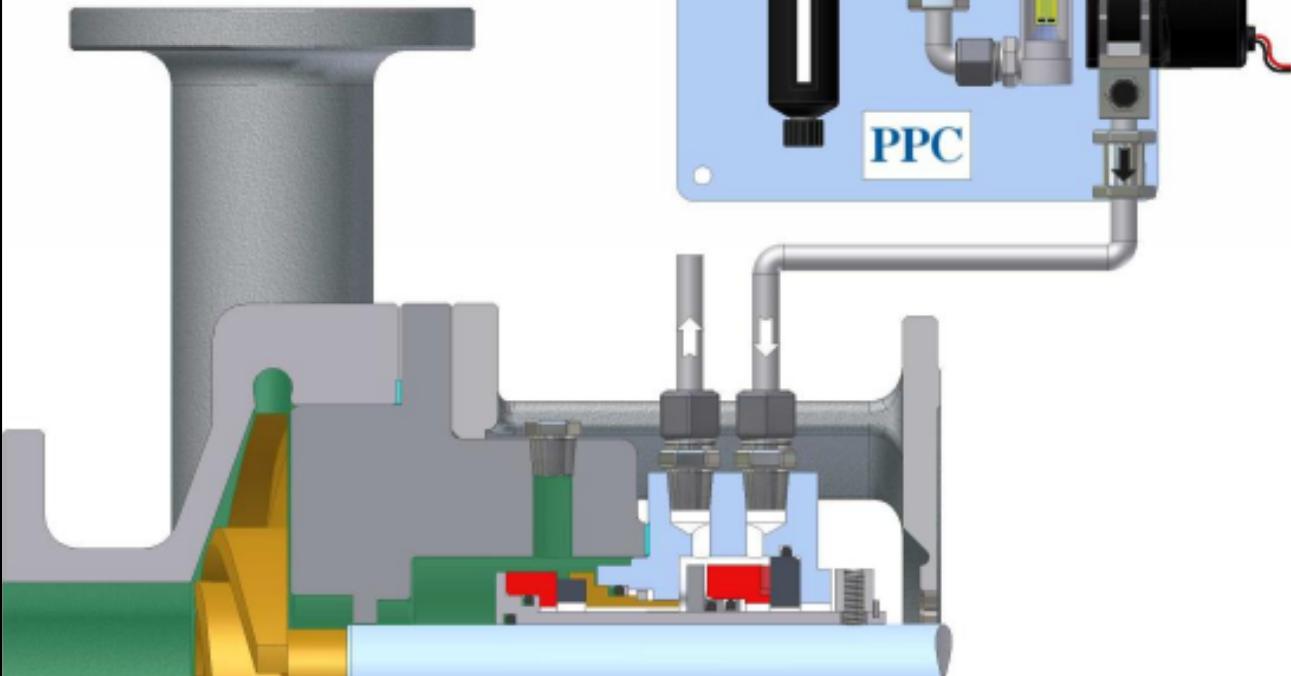


# Plan 72

**Description:** Plan 72 is an external control system supplying a “whisper” of BUFFER gas (typically Nitrogen) at less pressure than the process pressure being sealed, to a dual gas seal “arrangement 2”, with a dry running containment seal. Used alone to dilute seal leakage or in conjunction with Plan 75 or 76 to help sweep seal leakage into a closed collection system.



Normally Open



“arrangement 2”, with a dry running containment seal. Used alone to dilute seal leakage or in conjunction with Plan 75 or 76 to help sweep seal leakage into a closed collection system.

**Objective:** To reduce human and environmental contact in the event of a primary seal failure. Remove moisture, filter the gas and regulate the pressure to the seal.

**Advantages:** Zero to very low process emissions.