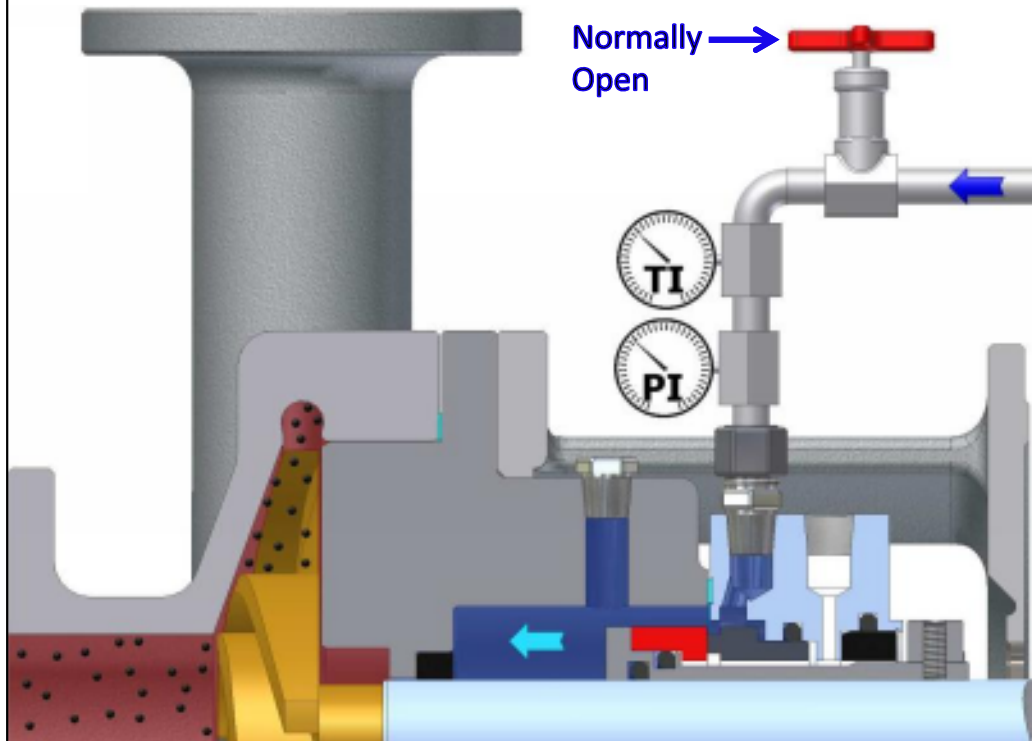
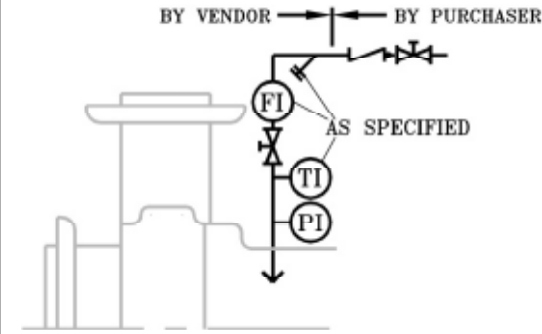


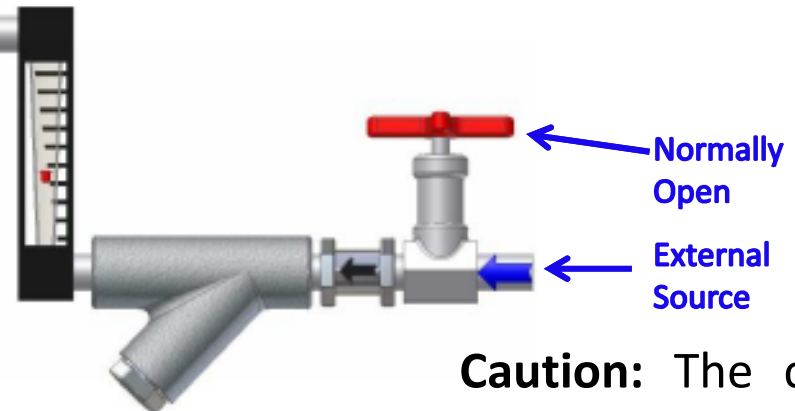
# Plan 32

**Description:** Plan 32 is injection of a cleaner or cooler fluid to the seal chamber from an external source, mixing into the process stream.

**Objective:** Isolate fluid in the seal chamber from process. Using a close clearance throat bushing, the injected fluid can isolate the seal from a process with poor lubricity, high temperature, abrasive, dirty, corrosive, polymerizing, or oxidizing properties. To provide cooling to the seal.



**Advantages:** Seal life can be extended and vapor margin increased.



**Caution:** The cost of process dilution and/or water removal sometimes exceeds the savings created with longer seal life.